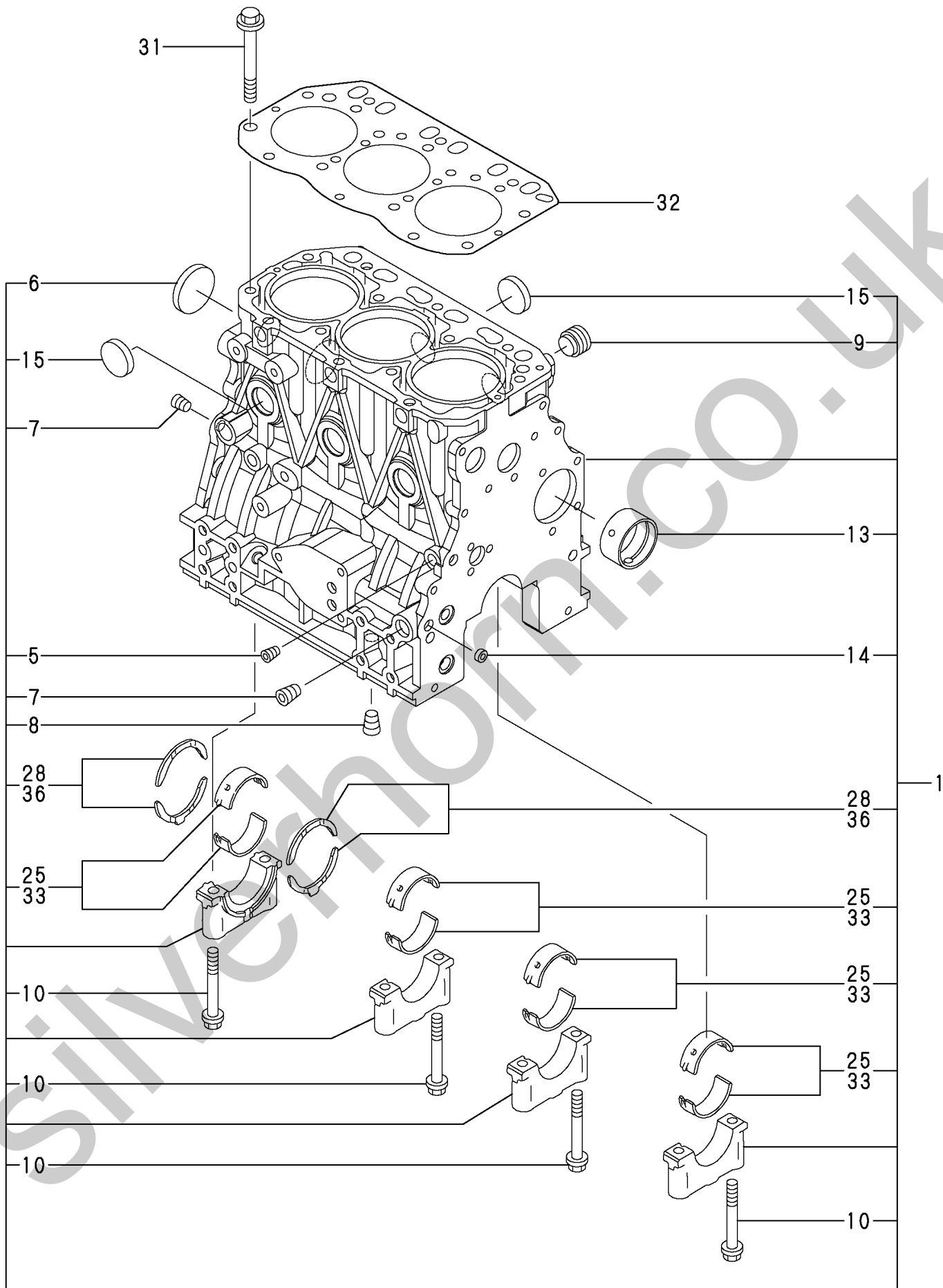


[Info]
PcNo=Y00B7200
PcName=3TNV88-XBV
JpnUse=1
JpnSec1=fGf`fWf`
JpnSec2=-§ -
JpnSec3=TNV
JpnPreface=0
EngUse=1
EngSec1=ENGINE (US,AS,NZ)
EngSec2=SMALL VERTICAL (ViO)
EngSec3=TNV
EngPreface=0

Silverhorn.CO.UK

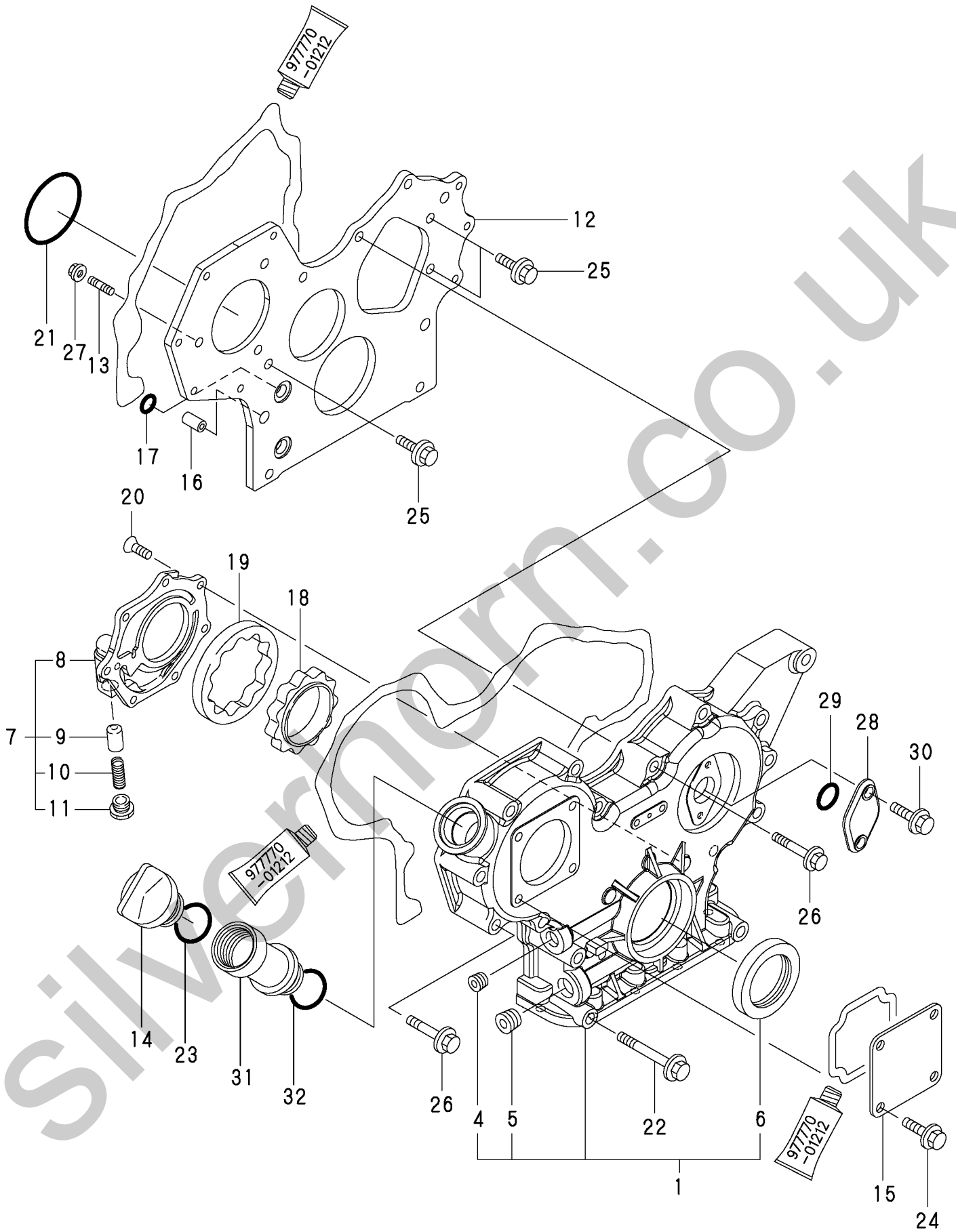
1,1,,729005-01560,, "BLOCK ASSY, CYLINDER",1,,,,,,,,,,,,,
5,3,,124060-01050,, "PLUG PT1/8",1,,,,,,,,,,,,,
6,3,,129001-01250,, "PLUG 50",1,,,,,,,,,,,,,
7,3,,124160-01910,, "PLUG PT1/4",2,,,,,,,,,,,,,
8,3,,124160-01910,, "PLUG PT1/4",1,,,,,,,,,,,,,
9,3,,171051-01921,, PLUG,1,,,,,,,,,,,,,
10,3,,129150-02020,, "BOLT, METAL CAP",8,,,,,,,,,,,,,
13,3,,129795-02411,, "BUSH, CAMSHAFT",1,,,,,,,,,,,,,
14,3,,27241-120000,, "PLUG 12",2,,,,,,,,,,,,,
15,3,,27241-300000,, "PLUG, 30",6,,,,,,,,,,,,,
25,2,,129001-02930,, "MAIN BEARING SET",4,,,,,,,,,3,,,,,,,,,
28,2,,129150-02930,, "METAL, THRUST",2,,,,,,,,,,,,,
31,1,,129150-01200,, "STUD, CYL. HEAD",14,,,,,,,,,,,,,
32,1,,129001-01340,, "GASKET, (NON-ASB.)",1,,,,,,,,,,,,,
33,1,,129150-02870,, "MAIN METAL US=0.25",4,,,,,,,,,1,,,,,,,,,
36,1,,129150-02940,, "METAL,THRUST.25(2PIE",1,,,,,,,,,2,,,,,,,,,

Silverhorn.CO.UK



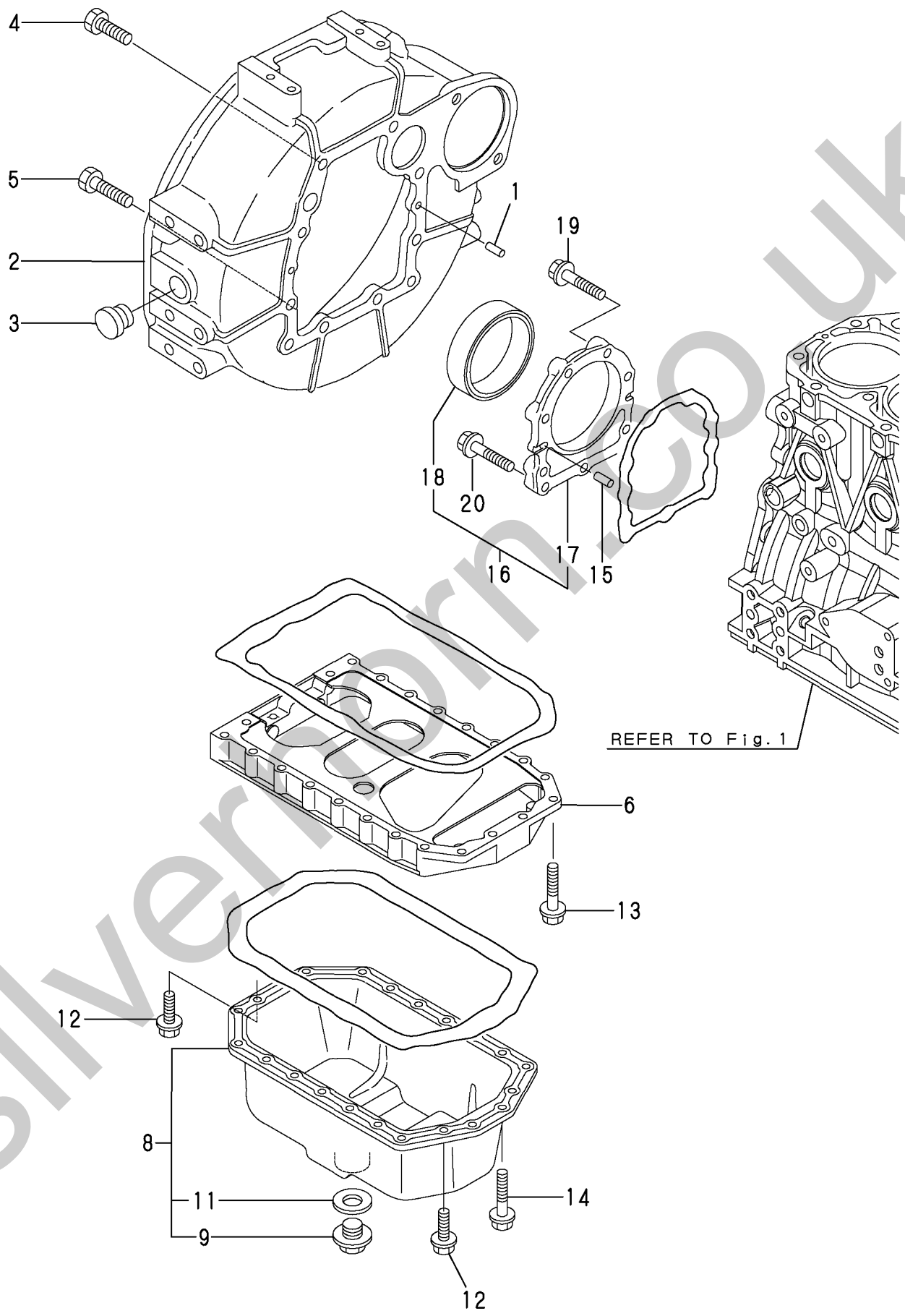
1,1,,719802-01500,, "HOUSING ASSY, GEAR",1,,,,,,,,,,,,,
4,2,,23876-030000,, "PLUG PT3/8,SCREW",1,,,,,,,,,,,,,
5,2,,23876-040000,, "PLUG PT 1/2",1,,,,,,,,,,,,,
6,2,,129795-01800,, "SEAL, OIL",1,,,,,,,,,,,,,
7,1,,119802-32100,, "COVER ASSY, PUMP",1,,,,,,,,,,,,,
8,2,,119802-32070,, "COVER, LUB.OIL PUMP",1,,,,,,,,,,,,,
9,2,,129900-32130,, "VALVE, RELIEF",1,,,,,,,,,,,,,
10,2,,129418-32320,, "SPRING",1,,,,,,,,,,,,,
11,2,,129001-32330,, "PLUG",1,,,,,,,,,,,,,
12,1,,119802-01520,, "FRANGE, GEAR CASE",1,,,,,,,,,,,,,
13,1,,119802-01560,, "STUD, M8X25",3,,,,,,,,,,,,,
14,1,,124160-01751,, "COVER,FILLER",1,,,,,,,,,,,,,
15,1,,124240-01871,, "COVER, HO-P",1,,,,,,,,,,,,,
16,1,,129795-01950,, "PIPE, KNOCK L=18",2,,,,,,,,,,,,,
17,1,,119609-32040,, "O-RING P16",4,,,,,,,,,,,,,
18,1,,119802-32111,, "ROTOR, INNER",1,,,,,,,,,,,,,
19,1,,119802-32120,, "ROTOR, OUTER",1,,,,,,,,,,,,,
20,1,,119802-32130,, "SCREW, M6X16",7,,,,,,,,,,,,,
21,1,,121850-51960,, "O-RING, F.I.PUMP",1,,,,,,,,,,,,,
22,1,,129001-91841,, "BOLT, M8X85",3,,,,,,,,,,,,,
23,1,,24311-000320,, "O-RING 1A P-32.0",1,,,,,,,,,,,,,
24,1,,26106-080162,, "BOLT M 8X 16 PLATED",4,,,,,,,,,,,,,
25,1,,26106-080162,, "BOLT M 8X 16 PLATED",3,,,,,,,,,,,,,
26,1,,26106-080552,, "BOLT M 8X 55 PLATED",12,,,,,,,,,,,,,
27,1,,26306-080002,, "NUT",3,,,,,,,,,,,,,
28,1,,121023-01550,, "COVER, BLIND",1,,,,,,,,,,,,,
29,1,,24341-000240,, "O-RING 1A S-24.0",1,,,,,,,,,,,,,
30,1,,26106-060162,, "BOLT M 6X 16 PLATED",2,,,,,,,,,,,,,
31,1,,171031-11741,, "PIPE",1,,,,,,,,,,,,,
32,1,,24311-000320,, "O-RING 1A P-32.0",1,,,,,,,,,,,,,





1,1,,129100-01580,, "PARALLEL PIN 8X16",2,,,,,,,,,,,,,,,,,,,,,
2,1,,129612-01600,, "HOUSING, FLYWHEEL",1,,,,,,,,,,,,,,,,,,,,,
3,1,,119620-01750,, "CAP, FLYWHEEL COVER",1,,,,,,,,,,,,,,,,,,,,,
4,1,,26206-100252,, "BOLT M10X25",6,,,,,,,,,,,,,,,,,,,,,
5,1,,26206-100302,, "BOLT M10X30",4,,,,,,,,,,,,,,,,,,,,,
6,1,,129100-01730,, "SPACER, OIL SUMP",1,,,,,,,,,,,,,,,,,,,,,
8,1,,129136-01780,, "SUMP ASSY, LUB.OIL",1,,,,,,,,,,,,,,,,,,,,,
9,2,,119640-01640,, "DRAIN PLUG M22",1,,,,,,,,,,,,,,,,,,,,,
11,2,,22190-220002,, "SEAL WASHER 22S",1,,,,,,,,,,,,,,,,,,,,,
12,1,,26106-080162,, "BOLT M 8X 16 PLATED",4,,,,,,,,,,,,,,,,,,,,,
13,1,,26106-080252,, "BOLT M 8X 25 PLATED",2,,,,,,,,,,,,,,,,,,,,,
14,1,,26106-080452,, "BOLT M 8X 45 PLATED",20,,,,,,,,,,,,,,,,,,,,,
15,1,,129100-01580,, "PARALLEL PIN 8X16",2,,,,,,,,,,,,,,,,,,,,,
16,1,,129100-01640,, "CASE ASSY, OIL SEAL",1,,,,,,,,,,,,,,,,,,,,,
17,2,,129150-01650,, "CASE, OIL SEAL",1,,,,,,,,,,,,,,,,,,,,,
18,2,,129795-01780,, "SEAL, OIL",1,,,,,,,,,,,,,,,,,,,,,
19,1,,129486-01670,, "BOLT M8X30, COLLAR HD",6,,,,,,,,,,,,,,,,,,,,,
20,1,,26106-080352,, "BOLT M 8X 35 PLATED",3,,,,,,,,,,,,,,,,,,,,,

Silverhorn.CO.UK

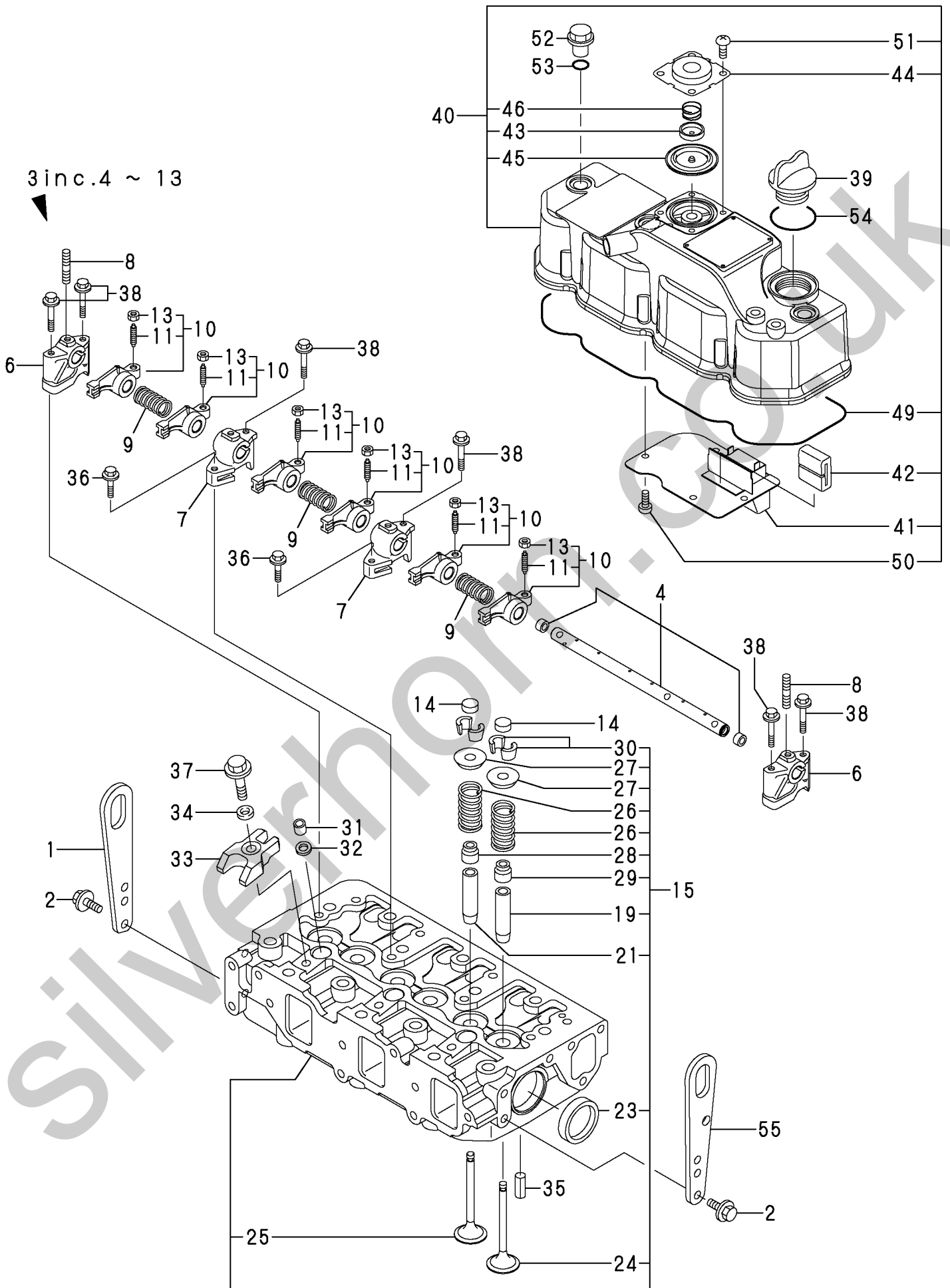


REFER TO Fig. 1

Silverline.co.uk

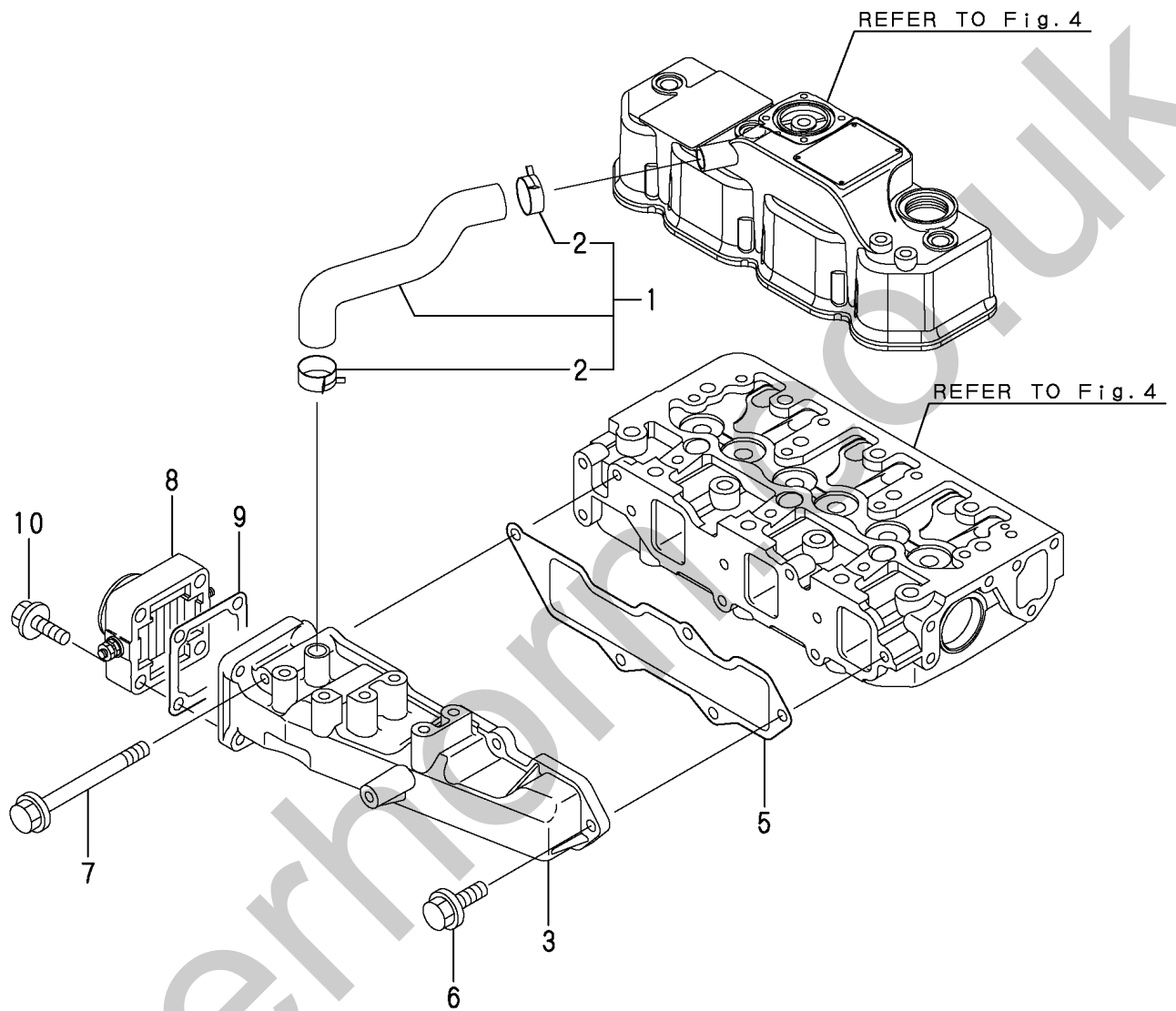
1,1,,129900-07900,, "LIFTER, ENGINE",1,,,,,,,,,,,,,
2,1,,26106-080142,, "BOLT M 8X 14 PLATED",4,,,,,,,,,,,,,
3,1,,129004-11241,, "SHAFT ASSY, ROCKER",1,,,,,,,,,,,,,
4,2,,129004-11251,, "SHAFT, ROCKER ARM",1,,,,,,,,,,,,,
6,2,,119802-11260,, "SUPPORT, ROCKER ARM",2,,,,,,,,,,,,,
7,2,,119802-11270,, "SUPPORT, ROCKER ARM",2,,,,,,,,,,,,,
8,2,,119802-11280,, "STUD",3,,,,,,,,,,,,,
9,2,,129150-11280,, "SPRING",3,,,,,,,,,,,,,
10,2,,129004-11650,, "ARM ASSY, ROCKER",6,,,,,,,,,,,,,
11,3,,129150-11230,, "SCREW, VALVE",6,,,,,,,,,,,,,
13,3,,129150-11750,, "NUT M8XP1.0",6,,,,,,,,,,,,,
14,1,,129150-11370,, "CAP, VALVE",6,,,,,,,,,,,,,
15,1,,129004-11700,, "HEAD ASSY, CYLINDER",1,,,,,,,,,,,,,
19,2,,120130-11860,, "GUIDE, VALVE",3,,,,,,,,,1,,,,,,,,,
21,2,,129150-11810,, "GUIDE, VALVE",3,,,,,,,,,1,,,,,,,,,
23,2,,27241-400000,, "PLUG 40",2,,,,,,,,,,,,,
24,2,,129004-11101,, "VALVE, INTAKE",3,,,,,,,,,,,,,
25,2,,129100-11111,, "VALVE, EXHAUST",3,,,,,,,,,,,,,
26,2,,129795-11120,, "SPRING, VALVE",6,,,,,,,,,,,,,
27,2,,129795-11180,, "RETAINER, SPRING",6,,,,,,,,,,,,,
28,2,,121400-11340,, "SEAL, VALVE STEM",3,,,,,,,,,,,,,
29,2,,124460-11340,, "SEAL, VALVE STEM",3,,,,,,,,,,,,,
30,2,,27310-080000,, "COTTER, 8",6,,,,,,,,,,,,,
31,1,,119802-11870,, "PROTECTOR, NOZZLE",3,,,,,,,,,,,,,
32,1,,119625-11880,, "SEAT, NOZZLE",3,,,,,,,,,,,,,
33,1,,129004-11900,, "RETAINER, NOZZLE",3,,,,,,,,,,,,,
34,1,,120270-54410,, "WASHER",3,,,,,,,,,,,,,
35,1,,22351-060012,, "SPRING PIN 6X12",2,,,,,,,,,,,,,
36,1,,26106-080252,, "BOLT M 8X 25 PLATED",2,,,,,,,,,,,,,
37,1,,26106-080352,, "BOLT M 8X 35 PLATED",3,,,,,,,,,,,,,
38,1,,26106-080502,, "BOLT M 8X 50 PLATED",6,,,,,,,,,,,,,
39,1,,124160-01751,, "COVER, FILLER",1,,,,,,,,,,,,,
40,1,,129004-11350,, "BONNET ASSY, HEAD",1,,,,,,,,,,,,,
41,2,,129004-03010,, "PLATE, BAFFLE",1,,,,,,,,,,,,,
42,2,,129150-03070,, "BAFFLE, BREATHER",1,,,,,,,,,,,,,
43,2,,119802-03110,, "PLATE, DIAPHRAGM",1,,,,,,,,,,,,,
44,2,,119802-03121,, "COVER, DIAPHRAGM",1,,,,,,,,,,,,,
45,2,,119802-03130,, "DIAPHRAGM",1,,,,,,,,,,,,,
46,2,,119802-03141,, "SPRING, DIAPHRAGM",1,,,,,,,,,,,,,
49,2,,129004-11310,, "GASKET, BONNET",1,,,,,,,,,,,,,
50,2,,22857-500100,, "SCREW 5X10, TAPPING",4,,,,,,,,,,,,,
51,2,,22857-500100,, "SCREW 5X10, TAPPING",4,,,,,,,,,,,,,
52,1,,124160-11360,, "KNOB",3,,,,,,,,,,,,,
53,1,,24311-000120,, "O-RING 1A P 12.0",3,,,,,,,,,,,,,
54,1,,24311-000320,, "O-RING 1A P-32.0",1,,,,,,,,,,,,,
55,1,,119940-07900,, "LIFTER, ENGINE",1,,,,,,,,,,,,,

3 inc.4 ~ 13



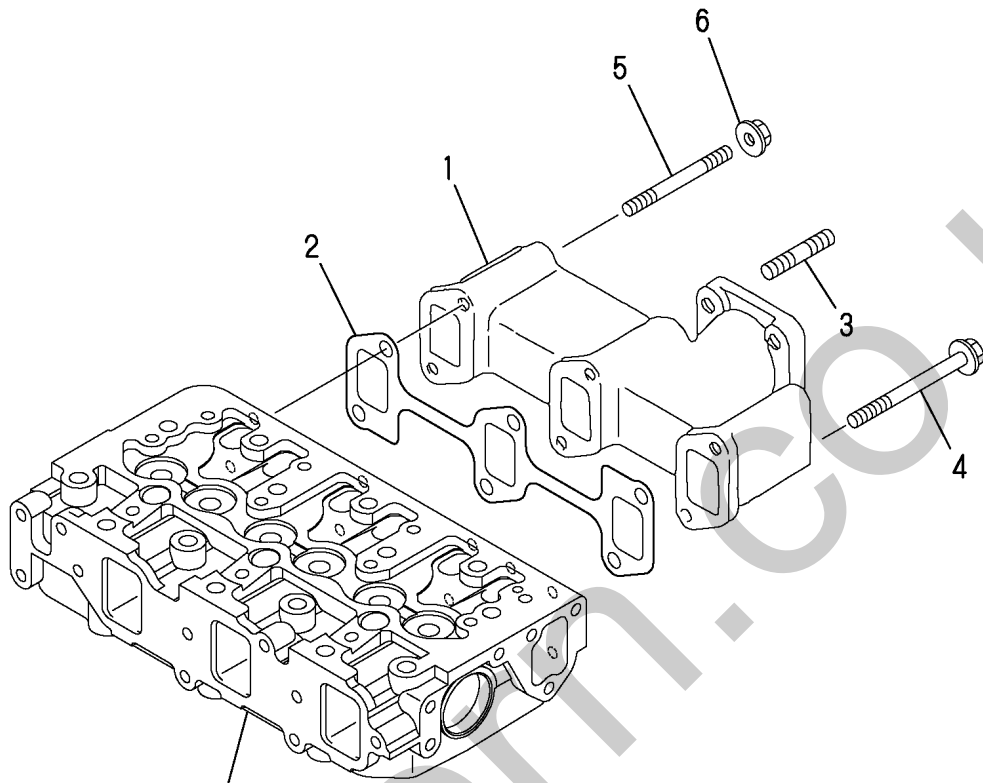
1,1,,129004-03080,, "PIPE, BREATHER",1,,,,,,,,,,,,,,,,,,,,,
2,2,,129410-03990,, "CLAMP 24",2,,,,,,,,,,,,,,,,,,,,,
3,1,,129004-12100,, "MANIFOLD, INTAKE",1,,,,,,,,,,,,,,,,,,,,,
5,1,,129001-12110,, "GASKET,INT. MANIFOLD",1,,,,,,,,,,,,,,,,,,,,,
6,1,,26106-080202,, "BOLT M 8X 20 PLATED",4,,,,,,,,,,,,,,,,,,,,,
7,1,,26106-080802,, "BOLT M 8X 80 PLATED",1,,,,,,,,,,,,,,,,,,,,,
8,1,,129120-77501,, "HEATER, AIR",1,,,,,,,,,,,,,,,,,,,,,
9,1,,129150-77511,, "GASKET, (NON-ASB.)",1,,,,,,,,,,,,,,,,,,,,,
10,1,,26106-080352,, "BOLT M 8X 35 PLATED",4,,,,,,,,,,,,,,,,,,,,,

Silverhorn.CO.UK



1,1,,129100-13110,, "MANIFOLD,EXHAUST",1,,,,,,,,,,,,,,,,,,,,,
2,1,,129150-13110,, "GASKET, EXH.MANIFOLD",1,,,,,,,,,,,,,,,,,,,,,
3,1,,119131-18320,, "BOLT M 8X 22",4,,,,,,,,,,,,,,,,,,,,,
4,1,,123900-13630,, "BOLT 8X80",4,,,,,,,,,,,,,,,,,,,,,
5,1,,123900-13610,, "STUD BOLT M 8X 80",2,,,,,,,,,,,,,,,,,,,,,
6,1,,26306-080002,, NUT,2,,,,,,,,,,,,,,,,,,,,,

Silverhorn.CO.UK

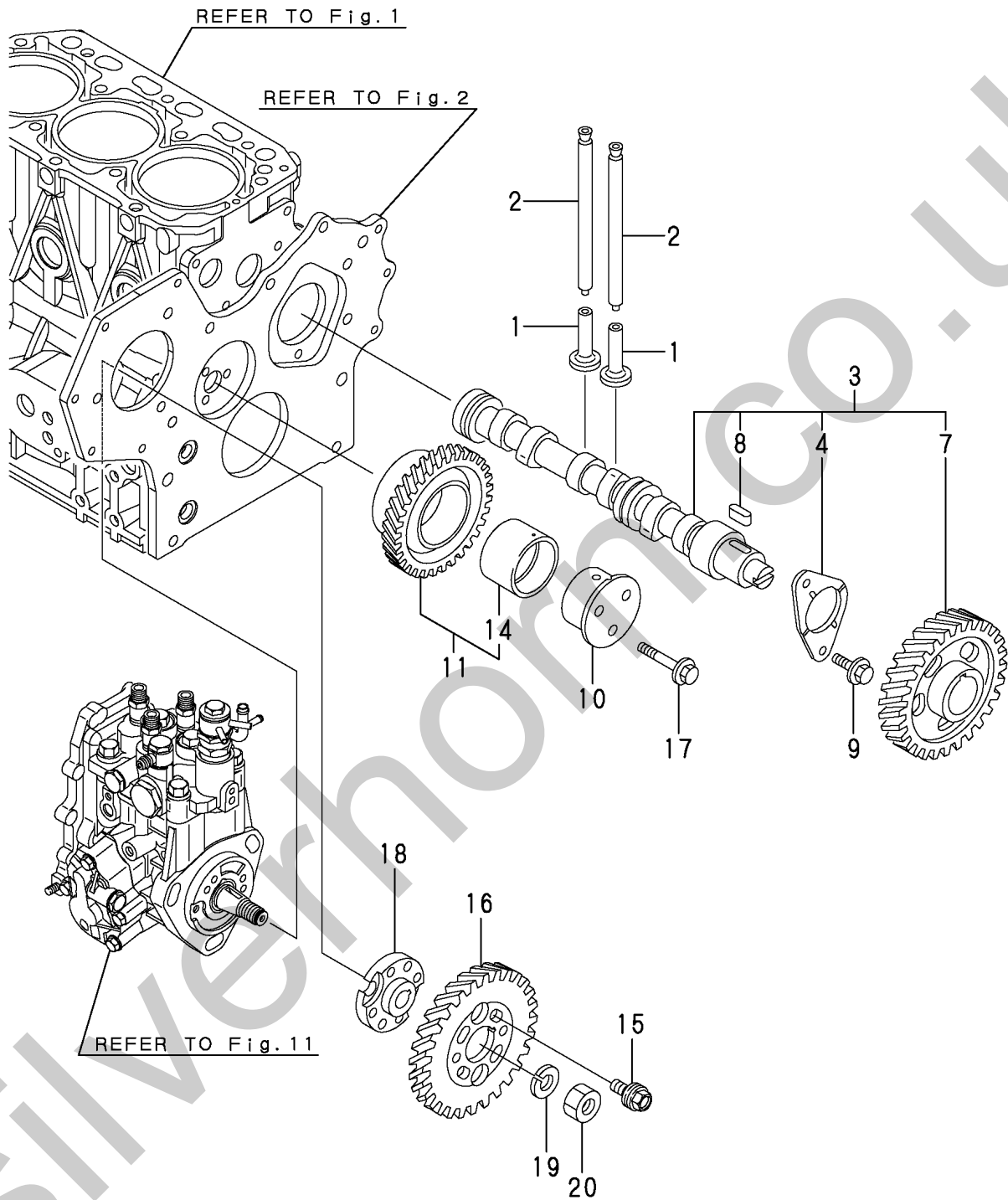


REFER TO Fig. 4

Silverhobby.co.uk

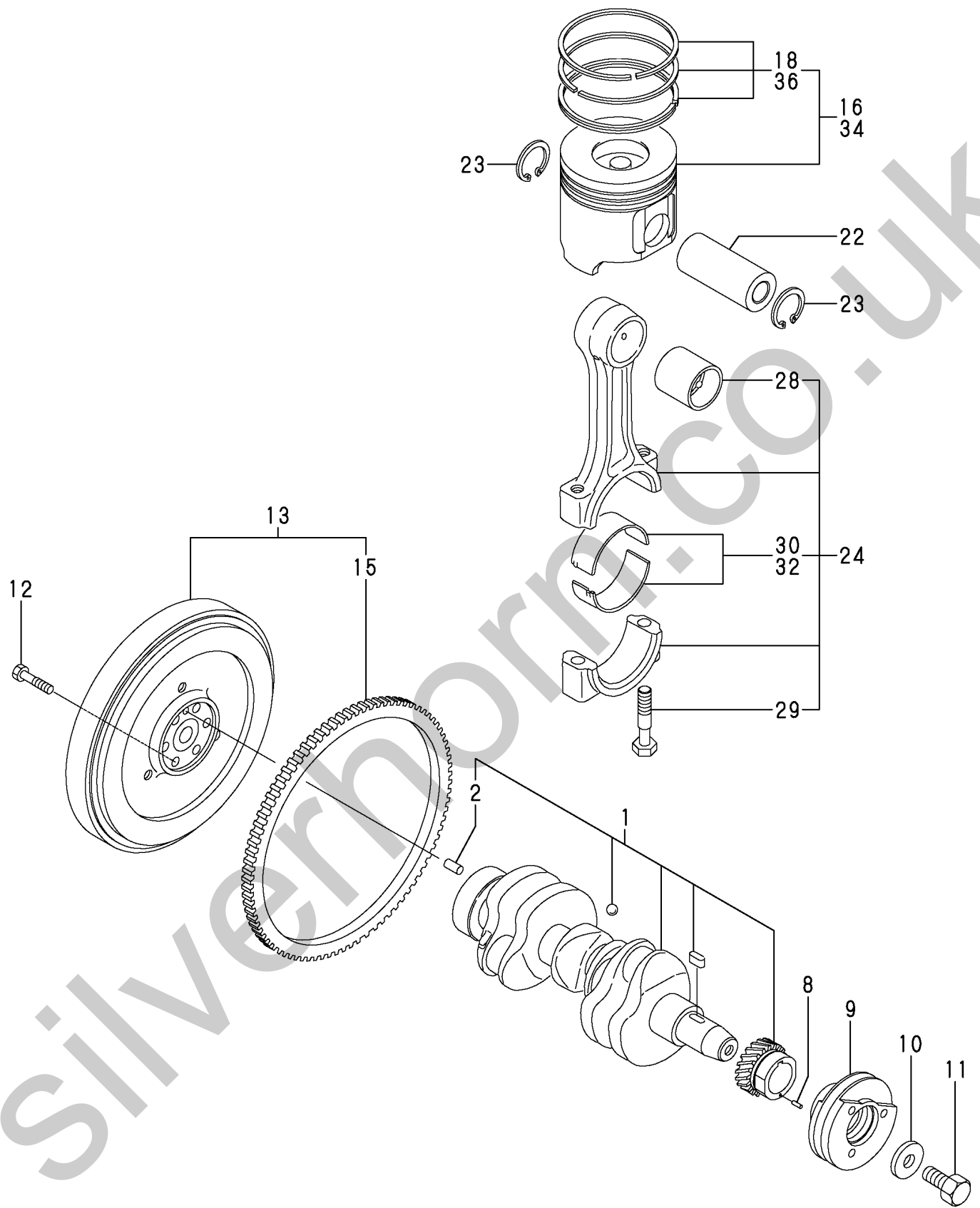
1,1,,129150-14200,,TAPPET,6,,,,,,,,,,,,,,,,,,,,,
2,1,,129150-14400,,,"ROD, PUSH",6,,,,,,,,,,,,,,,,,,,,,
3,1,,129129-14580,,,"CAMSHAFT ASSY",1,,,,,,,,,,,,,,,,,,,,,
4,2,,129150-02450,,,"METAL,THRUST(CAM",1,,,,,,,,,,,,,,,,,,,,,
7,2,,129150-14101,,,"GEAR, CAMSHAFT",1,,,,,,,,,,,,,,,,,,,,,
8,2,,22512-070140,,,"KEY 7X 14",1,,,,,,,,,,,,,,,,,,,,,
9,1,,26106-080142,,,"BOLT M 8X 14 PLATED",2,,,,,,,,,,,,,,,,,,,,,
10,1,,119802-25051,,,"SHAFT, IDLE GEAR",1,,,,,,,,,,,,,,,,,,,,,
11,1,,119802-25100,,,"GEAR ASSY, IDLE",1,,,,,,,,,,,,,,,,,,,,,
14,2,,119802-25070,,,"BUSH, IDLE GEAR",1,,,,,,,,,1,,,,,,,,,,,,,
15,1,,129150-25301,,,"BOLT,FI-P",4,,,,,,,,,,,,,,,,,,,,,
16,1,,119802-25901,,,"GEAR, PUMP",1,,,,,,,,,,,,,,,,,,,,,
17,1,,26106-080402,,,"BOLT M 8X 40 PLATED",3,,,,,,,,,,,,,,,,,,,,,
18,1,,158552-51151,,,"FLANGE",1,,,,,,,,,,,,,,,,,,,,,
19,1,,22217-140000,,,"SPRING WASHER 14",1,,,,,,,,,,,,,,,,,,,,,
20,1,,26776-140002,,,"LOCK NUT M14 PLATED",1,,,,,,,,,,,,,,,,,,,,,

Silverhorn.CO.UK



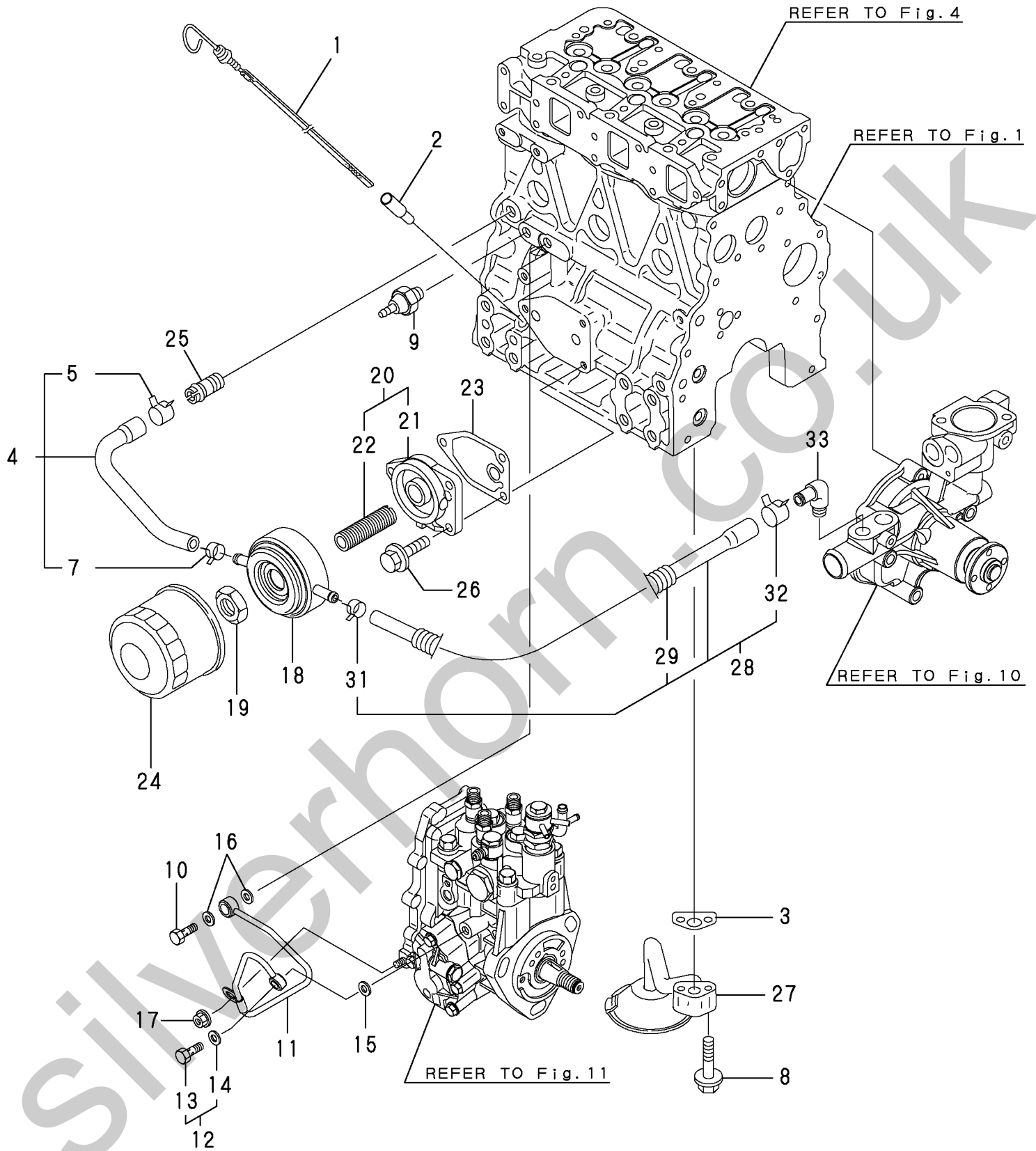
1,1,,129004-21002,, "CRANKSHAFT ASSY",1,,,,,,,,,,,,,
 2,2,,129100-01580,, "PARALLEL PIN 8X16",1,,,,,,,,,,,,,
 8,1,,22351-030010,, "SPRING PIN 3X10",1,,,,,,,,,,,,,
 9,1,,129004-21650,, "V-PULLEY, CRANKSHAFT",1,,,,,,,,,,,,,
 10,1,,129795-21661,, "WASHER",1,,,,,,,,,,,,,
 11,1,,121850-21680,, "BOLT, V-PULLEY",1,,,,,,,,,,,,,
 12,1,,121111-21501,, "BOLT, FLYWHEEL",6,,,,,,,,,,,,,
 13,1,,129002-21590,, "FLYWHEEL ASSY",1,,,,,,,,,,,,,
 15,2,,119865-21600,, "GEAR, RING",1,,,,,,,,,,,,,
 16,1,,129005-22080,, "PISTON ASSY",3,,,,,,,,,,,,,
 18,2,,129005-22500,, "RING SET, PISTON",3,,,,,,,,,,,,,
 22,1,,129202-22300,, "PIN, PISTON(D26,L70)",3,,,,,,,,,,,,,
 23,1,,22252-000260,, "CIRCLIP 26",6,,,,,,,,,,,,,
 24,1,,729402-23100,, "ROD ASSY, CONNECTING",3,,,,,,,,,,,,,
 28,2,,129100-23910,, "BUSH, PISTON PIN",3,,,,,,,,,1,,,,,,,,,
 29,2,,121550-23200,, "BOLT, CONNECTING ROD",6,,,,,,,,,,,,,
 30,2,,129150-23600,, "BEARING, CRANKPIN",3,,,,,,,,,,,,,
 32,1,,129150-23610,, "METAL.PIN US=0.25",3,,,,,,,,,2,,,,,,,,,
 34,1,,129005-22900,, "PISTON W/RING OS=.25",3,,,,,,,,,3,,,,,,,,,
 36,2,,129005-22950,, "RING SET O.S=0.25",3,,,,,,,,,3,,,,,,,,,

Silverhorn.CO.UK



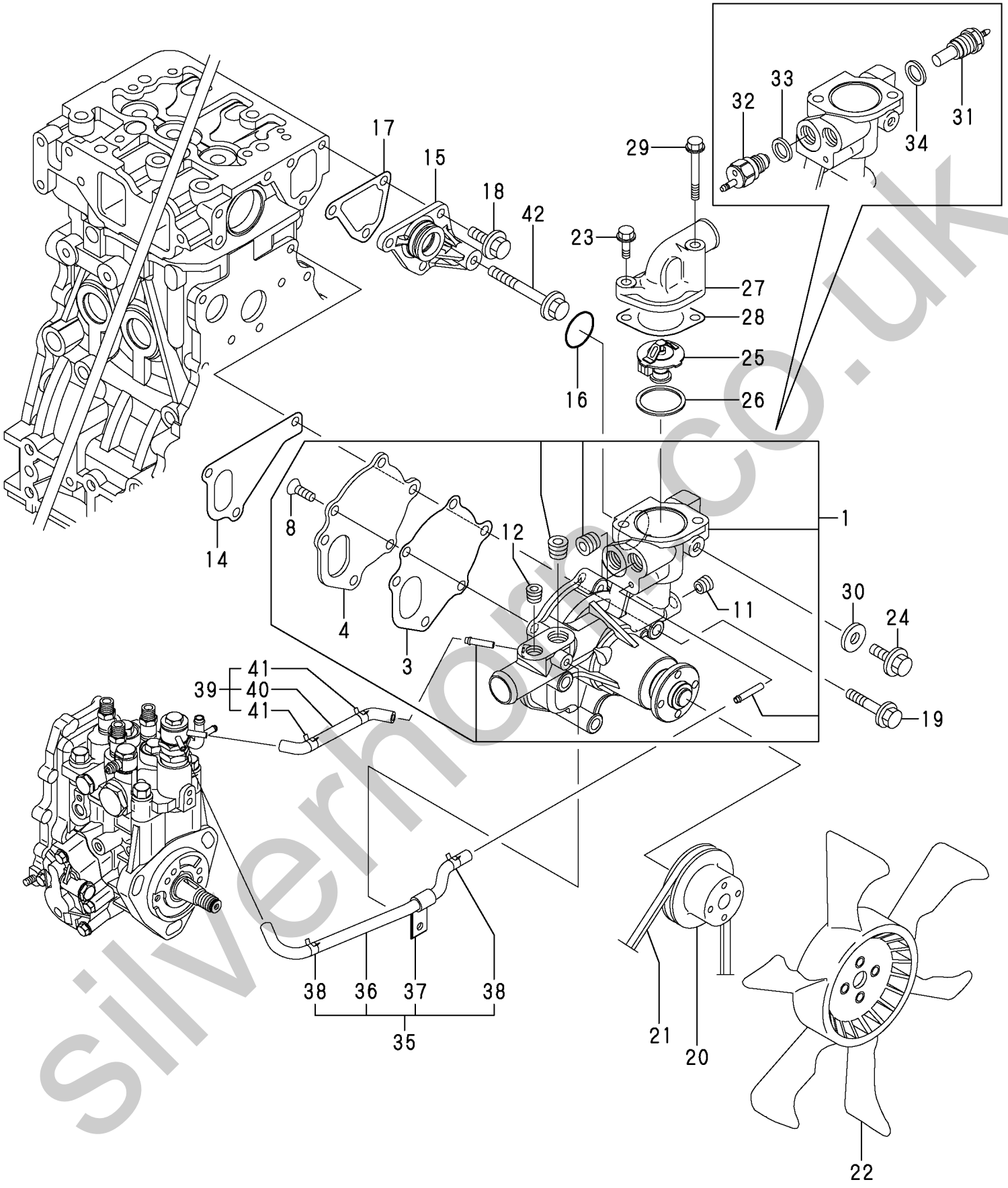
1,1,,129004-34802,, "DIPSTICK, LUB.OIL",1,,,,,,,,,,,,,,,,,,,,,
2,1,,121520-34810,, "GUIDE, DIPSTICK",1,,,,,,,,,,,,,,,,,,,,,
3,1,,129150-35042,, "GASKET, (NON-ASB.)",1,,,,,,,,,,,,,,,,,,,,,
4,1,,129508-49030,, "PIPE,COOLER IN",1,,,,,,,,,,,,,,,,,,,,,
5,2,,171008-03990,, "CLAMP 18.5",1,,,,,,,,,,,,,,,,,,,,,
7,2,,23080-015000,, CLAMP,1,,,,,,,,,,,,,,,,,,,,,
8,1,,26106-080352,, "BOLT M 8X 35 PLATED",2,,,,,,,,,,,,,,,,,,,,,
9,1,,114250-39450,, "SWITCH, (0.5KG)L.O.",1,,,,,,,,,,,,,,,,,,,,,
10,1,,124160-39140,, "BOLT 10, PIPE JOINT",1,,,,,,,,,,,,,,,,,,,,,
11,1,,119802-39450,, "PIPE ASSY, LUB. OIL",1,,,,,,,,,,,,,,,,,,,,,
12,1,,129005-59830,, "BOLT ASSY, JOINT",1,,,,,,,,,,,,,,,,,,,,,
13,2,,23857-030000,, "JOINT BOLT 3",1,,,,,,,,,,,,,,,,,,,,,
14,2,,22190-080002,, "SEAL WASHER 8S",1,,,,,,,,,,,,,,,,,,,,,
15,1,,22190-080002,, "SEAL WASHER 8S",1,,,,,,,,,,,,,,,,,,,,,
16,1,,22190-100002,, "SEAL WASHER 10S",2,,,,,,,,,,,,,,,,,,,,,
17,1,,26366-060002,, "NUT M 6",1,,,,,,,,,,,,,,,,,,,,,
18,1,,129508-33010,, "COOLER ASSY, OIL",1,,,,,,,,,,,,,,,,,,,,,
19,1,,129417-33110,, "NUT OIL COOLER",1,,,,,,,,,,,,,,,,,,,,,
20,1,,129006-35100,, "BRACKET ASSY, FILTER",1,,,,,,,,,,,,,,,,,,,,,
21,2,,119802-35110,, "BRACKET, FILTER",1,,,,,,,,,,,,,,,,,,,,,
22,2,,129417-35150,, STUD,1,,,,,,,,,,,,,,,,,,,,,
23,1,,129150-35111,, "GASKET, (NON-ASB.)",1,,,,,,,,,,,,,,,,,,,,,
24,1,,129150-35152,, "FILTER 80X80L",1,,,,,,,,,,,,,,,,,,,,,
25,1,,129122-44480,, JOINT,1,,,,,,,,,,,,,,,,,,,,,
26,1,,26106-080202,, "BOLT M 8X 20 PLATED",3,,,,,,,,,,,,,,,,,,,,,
27,1,,129100-35301,, "PIPE ASSY, OIL INLET",1,,,,,,,,,,,,,,,,,,,,,
28,1,,129006-49040,, "PIPE,COOLER OUT",1,,,,,,,,,,,,,,,,,,,,,
29,2,,129642-49180,, "PROTECTOR, PIPE 19",1,,,,,,,,,,,,,,,,,,,,,
31,2,,23080-015000,, CLAMP,1,,,,,,,,,,,,,,,,,,,,,
32,2,,23080-018000,, "CLAMP 18",1,,,,,,,,,,,,,,,,,,,,,
33,1,,129103-49301,, "ELBOW PT 1/4",1,,,,,,,,,,,,,,,,,,,,,





1,1,,129004-42001,, "PUMP ASSY, WATER",1,,,,,,,,,,,,,
3,2,,129100-42051,, "GASKET, (NON-ASB.)",1,,,,,,,,,,,,,
4,2,,129100-42121,, PLATE,1,,,,,,,,,,,,,
8,2,,121850-42410,, SCREW,3,,,,,,,,,,,,,
11,2,,23876-010000,, "PLUG PT1/8, SCREW",1,,,,,,,,,,,,,
12,2,,23876-020000,, "PLUG PT1/4, SCREW",1,,,,,,,,,,,,,
14,1,,129486-42021,, GASKET,1,,,,,,,,,,,,,
15,1,,129004-42040,, JOINT,1,,,,,,,,,,,,,
16,1,,129486-42140,, "O-RING, CW-P",1,,,,,,,,,,,,,
17,1,,124395-49840,, "GASKET, THERMO. CASE",1,,,,,,,,,,,,,
18,1,,26106-080162,, "BOLT M 8X 16 PLATED",3,,,,,,,,,,,,,
19,1,,26106-080602,, "BOLT M 8X 60 PLATED",3,,,,,,,,,,,,,
20,1,,129550-42350,, V-PULLEY(D=120),1,,,,,,,,,,,,,
21,1,,25132-003800,, "V-BELT (A-38)",1,,,,,,,,,,,,,
22,1,,171340-44740,, "FAN, COOLING",1,,,,,,,,,,,,,
23,1,,26106-080252,, "BOLT M 8X 25 PLATED",1,,,,,,,,,,,,,
24,1,,26106-080122,, "BOLT M 8X 12 PLATED",1,,,,,,,,,,,,,
25,1,,129155-49801,, "THERMOSTAT (71)",1,,,,,,,,,,,,,
26,1,,129150-49811,, "GASKET, (NON-ASB.)",1,,,,,,,,,,,,,
27,1,,124101-49531,, "COVER, THERMOSTAT",1,,,,,,,,,,,,,
28,1,,129795-49551,, "GASKET, (NON-ASB.)",1,,,,,,,,,,,,,
29,1,,26106-080652,, "BOLT M 8X 65 PLATED",1,,,,,,,,,,,,,
30,1,,23414-080000,, "GASKET 8, ROUND",1,,,,,,,,,,,,,
31,1,,171056-49351,, SENSER,1,,,,,,,,,,,,,
32,1,,121250-44901,, "SWITCH, THERMO(110 \pm 3C)",1,,,,,,,,,,,,,
33,1,,124465-44950,, "GASKET 16",1,,,,,,,,,,,,,
34,1,,129150-49360,, "GASKET 10",1,,,,,,,,,,,,,
35,1,,129004-49610,, "PIPE ASSY, A MP2",1,,,,,,,,,,,,,
36,2,,129004-49711,, "PIPE ASSY, A MP2",1,,,,,,,,,,,,,
37,2,,119802-49730,, "CLAMP, CW-T",1,,,,,,,,,,,,,
38,2,,124722-59050,, "CLAMP 9",2,,,,,,,,,,,,,
39,1,,129004-49620,, "PIPE ASSY, B MP2",1,,,,,,,,,,,,,
40,2,,129004-49721,, "PIPE, WATER B MP2",1,,,,,,,,,,,,,
41,2,,124722-59050,, "CLAMP 9",2,,,,,,,,,,,,,
42,1,,26106-080452,, "BOLT M 8X 45 PLATED",1,,,,,,,,,,,,,



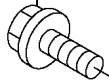


1,1,,729242-51310,, "PUMP ASSY, F.INJECT",1,,,,,,,,,,,,,
210,1,,119802-51250,, "BRACKET, PUMP",1,,,,,,,,,,,,,
211,1,,26106-080162,, "BOLT M 8X 16 PLATED",1,,,,,,,,,,,,,
212,1,,26106-080202,, "BOLT M 8X 20 PLATED",1,,,,,,,,,,,,,

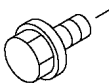
Silverhorn.CO.UK

REFER TO Fig. 1

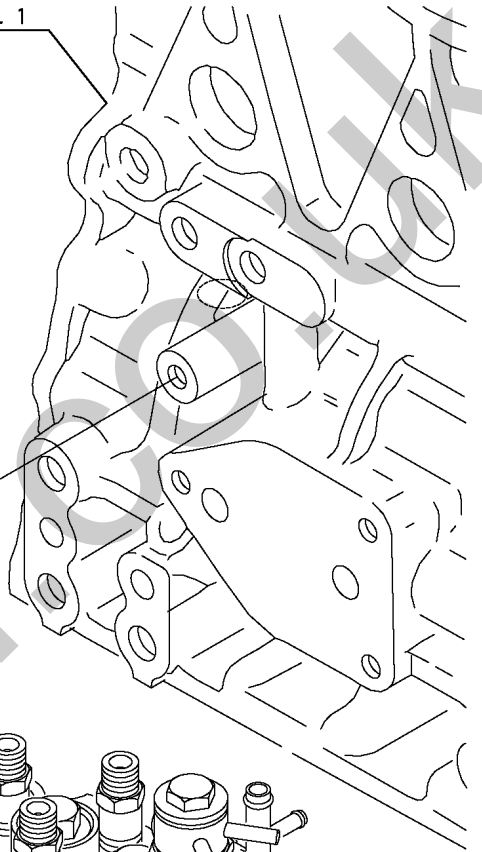
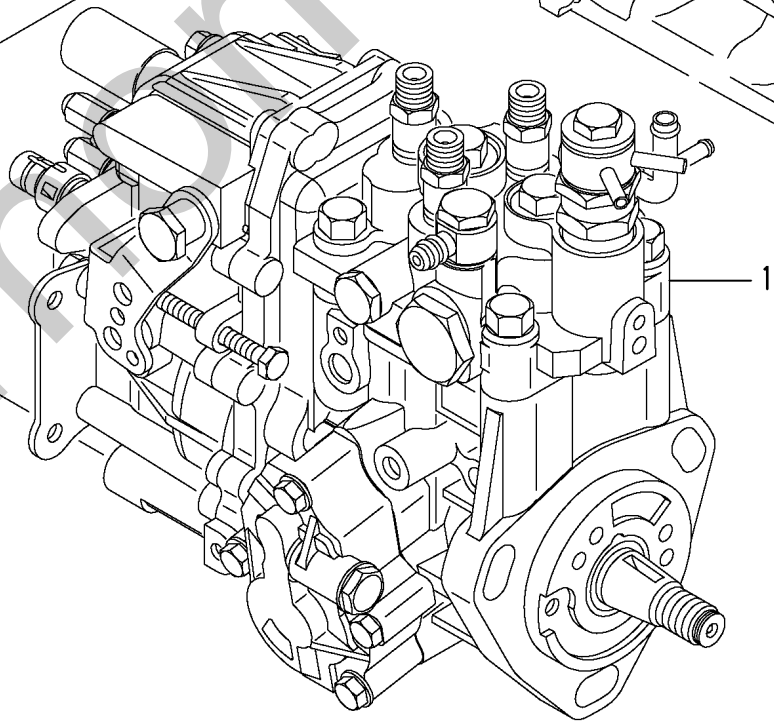
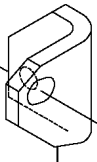
212



211



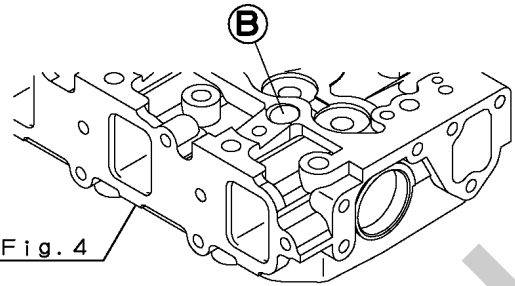
210



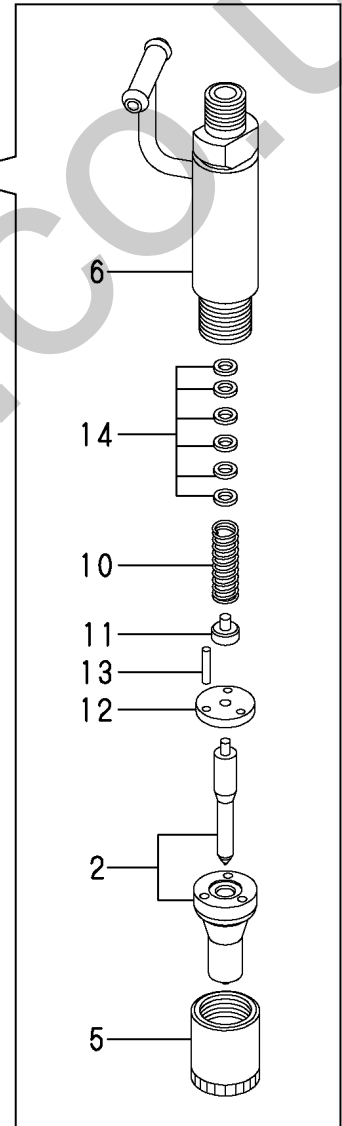
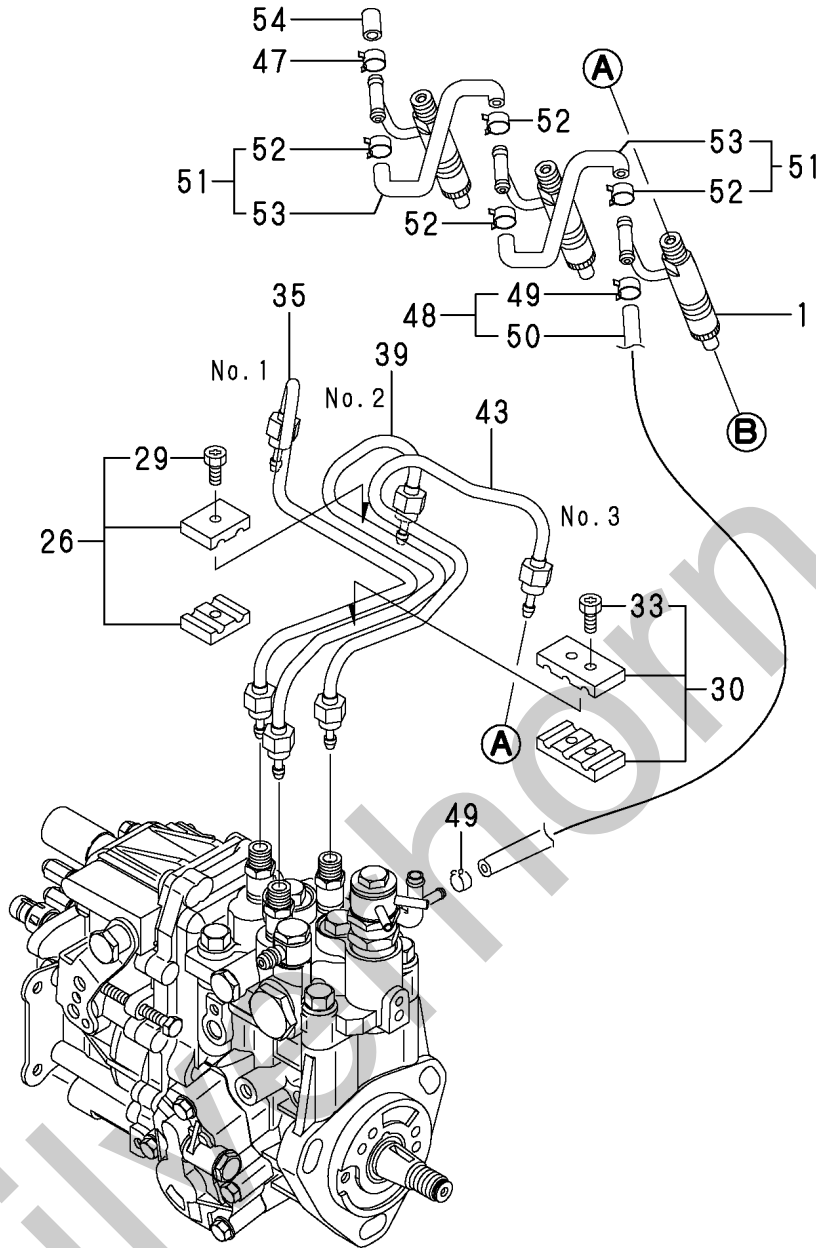
Silver

1,1,,729245-53100,, "FUEL INJECTOR(WBC",3,,,,,,,,,,,,,,,,,,,,,
2,2,,129004-53001,, "NOZZLE CMP",3,,,,,,,,,,,,,,,,,,,,,
5,2,,114250-53080,, "NUT, NOZZLE CASE",3,,,,,,,,,,,,,,,,,,,,,
6,2,,119802-53100,, "HOLDER ASSY, NOZZLE",3,,,,,,,,,,,,,,,,,,,,,
10,2,,114250-53120,, "SPRING, NOZZLE",3,,,,,,,,,,,,,,,,,,,,,
11,2,,114250-53130,, "SEAT, NOZZLE SPRING",3,,,,,,,,,,,,,,,,,,,,,
12,2,,114250-53140,, "PLATE, STOP",3,,,,,,,,,,,,,,,,,,,,,
13,2,,114250-53210,, PIN,6,,,,,,,,,,,,,,,,,,,,,
14,2,,114250-53400,, "SHIM PACK",3,,,,,,,,,,,,,,,,,,,,,
26,1,,119305-59120,, RETAINER,1,,,,,,,,,,,,,,,,,,,,,
29,2,,129150-59131,, "BOLT M4X14,HEX.SCKT.",1,,,,,,,,,,,,,,,,,,,,,
30,1,,129150-59120,, "RETAINER, INJ. PIPE",1,,,,,,,,,,,,,,,,,,,,,
33,2,,129150-59131,, "BOLT M4X14,HEX.SCKT.",2,,,,,,,,,,,,,,,,,,,,,
35,1,,129004-59810,, "PIPE ASSY, INJECTION",1,,,,,,,,,,,,,,,,,,,,,
39,1,,129004-59820,, "PIPE ASSY, INJECTION",1,,,,,,,,,,,,,,,,,,,,,
43,1,,129004-59830,, "PIPE ASSY, INJECTION",1,,,,,,,,,,,,,,,,,,,,,
47,1,,124066-59100,, "CLAMP 8",2,,,,,,,,,,,,,,,,,,,,,
48,1,,119802-59550,, "PIPE ASSY, RETURN",1,,,,,,,,,,,,,,,,,,,,,
49,2,,124722-59050,, "CLAMP 9",2,,,,,,,,,,,,,,,,,,,,,
50,2,,119802-59560,, "PIPE, FUEL RETURN",1,,,,,,,,,,,,,,,,,,,,,
51,1,,129486-59551,, "PIPE, FUEL RETURN",2,,,,,,,,,,,,,,,,,,,,,
52,2,,124722-59050,, "CLAMP 9",4,,,,,,,,,,,,,,,,,,,,,
53,2,,129486-59510,, "PIPE, FUEL RETURN",2,,,,,,,,,,,,,,,,,,,,,
54,1,,119593-59580,, CAP,1,,,,,,,,,,,,,,,,,,,,,

Silverhorn.CO.UK



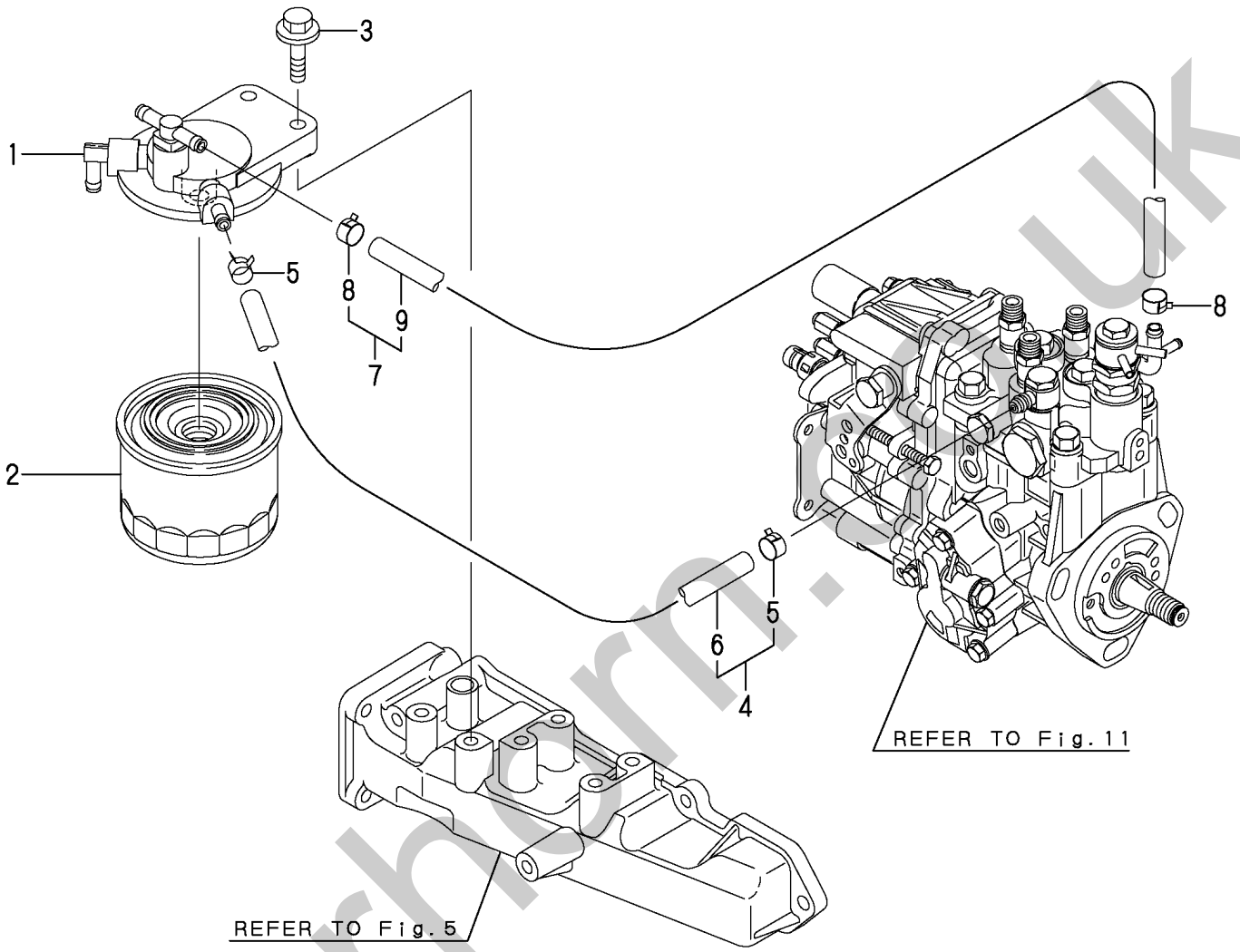
REFER TO Fig. 4



Silva

1,1,,129004-55610,, "BRACKET, FILTER",1,,,,,,,,,,,,,
2,1,,119802-55800,, "FILTER, FUEL",1,,,,,,,,,,,,,
3,1,,26106-080302,, "BOLT M 8X 30 PLATED",2,,,,,,,,,,,,,
4,1,,129210-59100,, "PIPE ASSY, FUEL",1,,,,,,,,,,,,,
5,2,,124766-59050,, "CLAMP 12",2,,,,,,,,,,,,,
6,2,,105025-59580,, "PIPE, FUEL OIL",1,,,,,,,,,,,,,
7,1,,129210-59230,, "PIPE ASSY, FUEL OIL",1,,,,,,,,,,,,,
8,2,,124766-59050,, "CLAMP 12",2,,,,,,,,,,,,,
9,2,,129555-59511,, "PIPE, FUEL",1,,,,,,,,,,,,,

Silverhorn.CO.UK

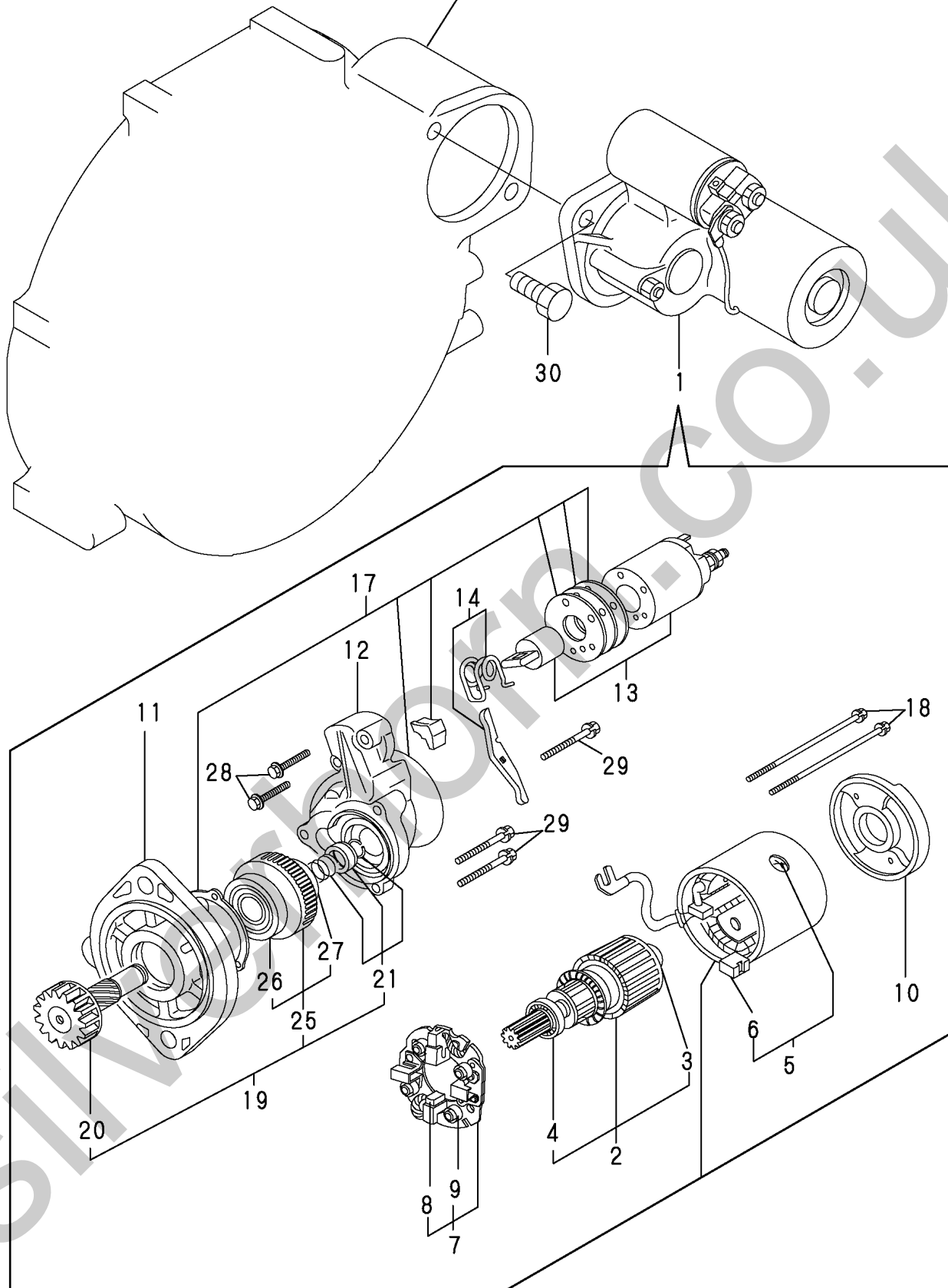


Silver

1,1,,129400-77012,, "STARTING MOTOR",1,,,,,,,,,,,,,
2,2,,129486-77400,, ARMATUER,1,,,,,,,,,,,,,
3,3,,171008-77410,, BEARING(1),1,,,,,,,,,,,,,
4,3,,171008-77420,, BEARING(2),1,,,,,,,,,,,,,
5,2,,129400-77441,, "FIELD COIL ASSY",1,,,,,,,,,,,,,
6,3,,129486-77460,, BRUSH,2,,,,,,,,,,,,,
7,2,,129486-77470,, "HOLDER ASSY, BRUSH",1,,,,,,,,,,,,,
8,3,,129486-77460,, BRUSH,2,,,,,,,,,,,,,
9,3,,129486-77490,, "SPRING, START BRUSH",4,,,,,,,,,,,,,
10,2,,129900-77460,, "COVER, REAR",1,,,,,,,,,,,,,
11,2,,171008-77510,, "HOUSING ASSY, GEAR",1,,,,,,,,,,,,,
12,2,,129400-77520,, "HOUSING, CENTER",1,,,,,,,,,,,,,
13,2,,129400-77531,, "SWITCH ASSY, MAGNETIC",1,,,,,,,,,,,,,
14,2,,171008-77540,, "LEVER SET, SHIFT",1,,,,,,,,,,,,,
17,2,,129400-77571,, "DUST COVER, (NON-ASB.)",1,,,,,,,,,,,,,
18,2,,129900-77640,, "BOLT, THROUGH",2,,,,,,,,,,,,,
19,2,,171008-77650,, "PINION ASSY",1,,,,,,,,,,,,,
20,3,,171008-77660,, "SHAFT, PINION",1,,,,,,,,,,,,,
21,3,,171008-77670,, "STOPPER SET, PINION",1,,,,,,,,,,,,,
25,3,,X2114555500,, "CLUTCH ASSY",1,,,,,,,,,,,,,
26,4,,X2114955020,, "BALL BEARING",1,,,,,,,,,,,,,
27,4,,X2240410100,, "BALL BEARING",1,,,,,,,,,,,,,
28,2,,26106-060322,, "BOLT M 6X 32 PLATED",2,,,,,,,,,,,,,
29,2,,26106-060402,, "BOLT M 6X 40 PLATED",3,,,,,,,,,,,,,
30,1,,26116-120252,, "BOLT M12X 25 PLATED",2,,,,,,,,,,,,,

Silverhorn.CO.UK

REFER TO Fig. 3

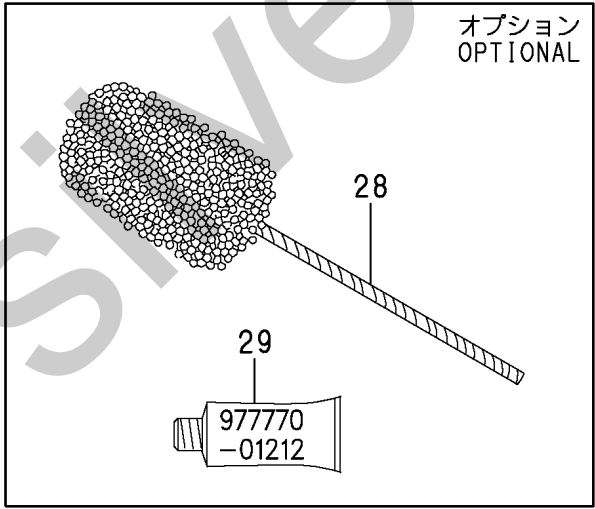
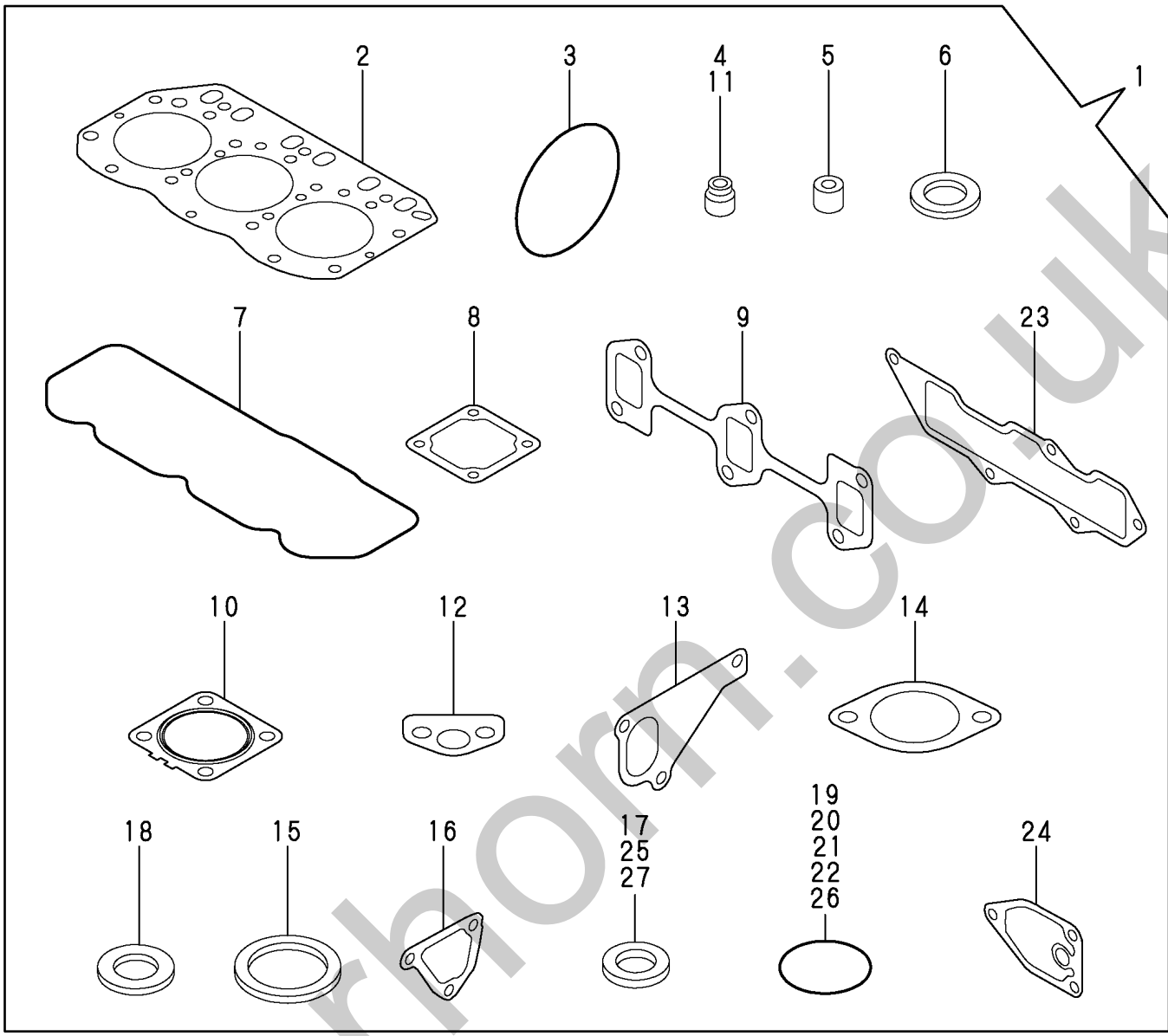


1,1,,119940-77330,, "ADJUSTER, BELT",1,,,,,,,,,,,,,,,,,,,,,
2,1,,129423-77200,, GENERATOR,1,,,,,,,,,,,,,,,,,,,,,
3,2,,X9490561001,, NUT,1,,,,,,,,,,,,,,,,,,,,,
4,2,,119620-77380,, "ROTOR ASSY",1,,,,,,,,,,,,,,,,,,,,,
5,3,,119620-79240,, "BALL BEARING",1,,,,,,,,,,,,,,,,,,,,,
6,3,,119620-79250,, "COVER, BEARING",1,,,,,,,,,,,,,,,,,,,,,
7,3,,119620-79360,, "THRUST WASHER",1,,,,,,,,,,,,,,,,,,,,,
8,2,,119620-77421,, "FLAME ASSY, DRIVE",1,,,,,,,,,,,,,,,,,,,,,
9,3,,119620-79200,, "BALL BEARING",1,,,,,,,,,,,,,,,,,,,,,
10,3,,119620-79210,, PLATE,1,,,,,,,,,,,,,,,,,,,,,
11,3,,119620-79220,, SCREW,4,,,,,,,,,,,,,,,,,,,,,
12,3,,119620-79230,, "BOLT, STUD",2,,,,,,,,,,,,,,,,,,,,,
13,2,,119620-77440,, "FLAME ASSY, REAR",1,,,,,,,,,,,,,,,,,,,,,
14,2,,129423-77450,, COVER,1,,,,,,,,,,,,,,,,,,,,,
15,2,,119620-77461,, PULLEY,1,,,,,,,,,,,,,,,,,,,,,
16,2,,119620-77471,, NUT,1,,,,,,,,,,,,,,,,,,,,,
17,2,,129423-77710,, "REGULATOR ASSY",1,,,,,,,,,,,,,,,,,,,,,
18,2,,119620-79260,, HOLDER,1,,,,,,,,,,,,,,,,,,,,,
19,2,,119620-79270,, "HOLDER, BRUSH",1,,,,,,,,,,,,,,,,,,,,,
20,3,,119620-77480,, "BRUSH ASSY",2,,,,,,,,,,,,,,,,,,,,,
21,3,,119620-79280,, SPRING,2,,,,,,,,,,,,,,,,,,,,,
22,2,,119620-79290,, SCREW,1,,,,,,,,,,,,,,,,,,,,,
23,2,,119620-79300,, SCREW,1,,,,,,,,,,,,,,,,,,,,,
24,2,,119620-79310,, BOLT,3,,,,,,,,,,,,,,,,,,,,,
25,2,,119620-79320,, "SCREW W/WASHER",2,,,,,,,,,,,,,,,,,,,,,
26,2,,119620-79330,, BOLT,2,,,,,,,,,,,,,,,,,,,,,
27,2,,119620-79340,, "INSULATION BUSH",1,,,,,,,,,,,,,,,,,,,,,
28,2,,119620-79350,, NUT,2,,,,,,,,,,,,,,,,,,,,,
29,2,,119620-77490,, COLLAR,1,,,,,,,,,,,,,,,,,,,,,
30,2,,119620-79360,, "THRUST WASHER",1,,,,,,,,,,,,,,,,,,,,,
31,1,,26306-100002,, NUT,1,,,,,,,,,,,,,,,,,,,,,
32,1,,129795-01900,, STUD,1,,,,,,,,,,,,,,,,,,,,,
33,1,,119802-77340,, "BOLT, ADJUSTER",1,,,,,,,,,,,,,,,,,,,,,
34,1,,119940-77270,, "ADJUSTER, BELT",1,,,,,,,,,,,,,,,,,,,,,
35,1,,26106-080452,, "BOLT M 8X 45 PLATED",1,,,,,,,,,,,,,,,,,,,,,



1,1,,729001-92680,, "GASKET SET(NON-ASB.)",1,,,,,,,,1,,,,,,,,,
2,2,,129001-01340,, "GASKET, (NON-ASB.)",1,,,,,,,,,
3,2,,121850-51960,, "O-RING, F.I.PUMP",1,,,,,,,,,
4,2,,124460-11340,, "SEAL, VALVE STEM",3,,,,,,,,,
5,2,,119802-11870,, "PROTECTOR, NOZZLE",3,,,,,,,,,
6,2,,119625-11880,, "SEAT, NOZZLE",3,,,,,,,,,
7,2,,129004-11310,, "GASKET, BONNET",1,,,,,,,,,
8,2,,129150-77511,, "GASKET, (NON-ASB.)",1,,,,,,,,,
9,2,,129150-13110,, "GASKET, EXH.MANIFOLD",1,,,,,,,,,
10,2,,129004-13200,, "GASKET, SILENCER",3,,,,,,,,,
11,2,,121400-11340,, "SEAL, VALVE STEM",3,,,,,,,,,
12,2,,129150-35041,, "GASKET, (NON-ASB.)",1,,,,,,,,,
13,2,,129486-42021,, "GASKET",1,,,,,,,,,
14,2,,129795-49551,, "GASKET, (NON-ASB.)",1,,,,,,,,,
15,2,,129150-49811,, "GASKET, (NON-ASB.)",1,,,,,,,,,
16,2,,124395-49840,, "GASKET, THERMO. CASE",1,,,,,,,,,
17,2,,22190-080002,, "SEAL WASHER 8S",2,,,,,,,,,
18,2,,124465-44950,, "GASKET 16",2,,,,,,,,,
19,2,,24311-000120,, "O-RING 1A P 12.0",3,,,,,,,,,
20,2,,24311-000320,, "O-RING 1A P-32.0",2,,,,,,,,,
21,2,,24341-000240,, "O-RING 1A S-24.0",1,,,,,,,,,
22,2,,129486-42140,, "O-RING,CW-P",1,,,,,,,,,
23,2,,129001-12110,, "GASKET,INT. MANIFOLD",1,,,,,,,,,
24,2,,129150-35111,, "GASKET, (NON-ASB.)",1,,,,,,,,,
25,2,,22190-220002,, "SEAL WASHER 22S",1,,,,,,,,,
26,2,,119609-32040,, "O-RING P16",4,,,,,,,,,
27,2,,22190-100002,, "SEAL WASHER 10S",2,,,,,,,,,
28,1,,129400-92420,, "FLEX HORN",1,,,,,,,,1,,,,,,,,,
29,1,,977770-01212,, "GASKET, LIQUID",1,,,,,,,,1,,,,,,,,

Silverhorn.CO.UK



0,Y00B7200
1,001,, "ENGINE 3TNV88-XBV"
2,1,, "CYLINDER BLOCK", 3TNV88-XBV,,,
2,2,, "GEAR HOUSING", 3TNV88-XBV,,,
2,3,, "FLYWHEEL HOUSING & OIL SUMP", 3TNV88-XBV,,,
2,4,, "CYLINDER HEAD & BONNET", 3TNV88-XBV,,,
2,5,, "SUCTION MANIFOLD", 3TNV88-XBV,,,
2,6,, "EXHAUST MANIFOLD", 3TNV88-XBV,,,
2,7,, "CAMSHAFT & DRIVING GEAR", 3TNV88-XBV,,,
2,8,, "CRANKSHAFT & PISTON", 3TNV88-XBV,,,
2,9,, "LUB.OIL SYSTEM", 3TNV88-XBV,,,
2,10,, "COOLING WATER SYSTEM", 3TNV88-XBV,,,
2,11,, "FUEL INJECTION PUMP", 3TNV88-XBV,,,
2,12,, "FUEL INJECTION VALVE", 3TNV88-XBV,,,
2,13,, "FUEL LINE", 3TNV88-XBV,,,
2,14,, "STARTING MOTOR", 3TNV88-XBV,,,
2,15,, "GENERATOR", 3TNV88-XBV,,,
2,16,, "GASKET SET & TOOLS", 3TNV88-XBV,,,
,

Silverhorn.CO.UK